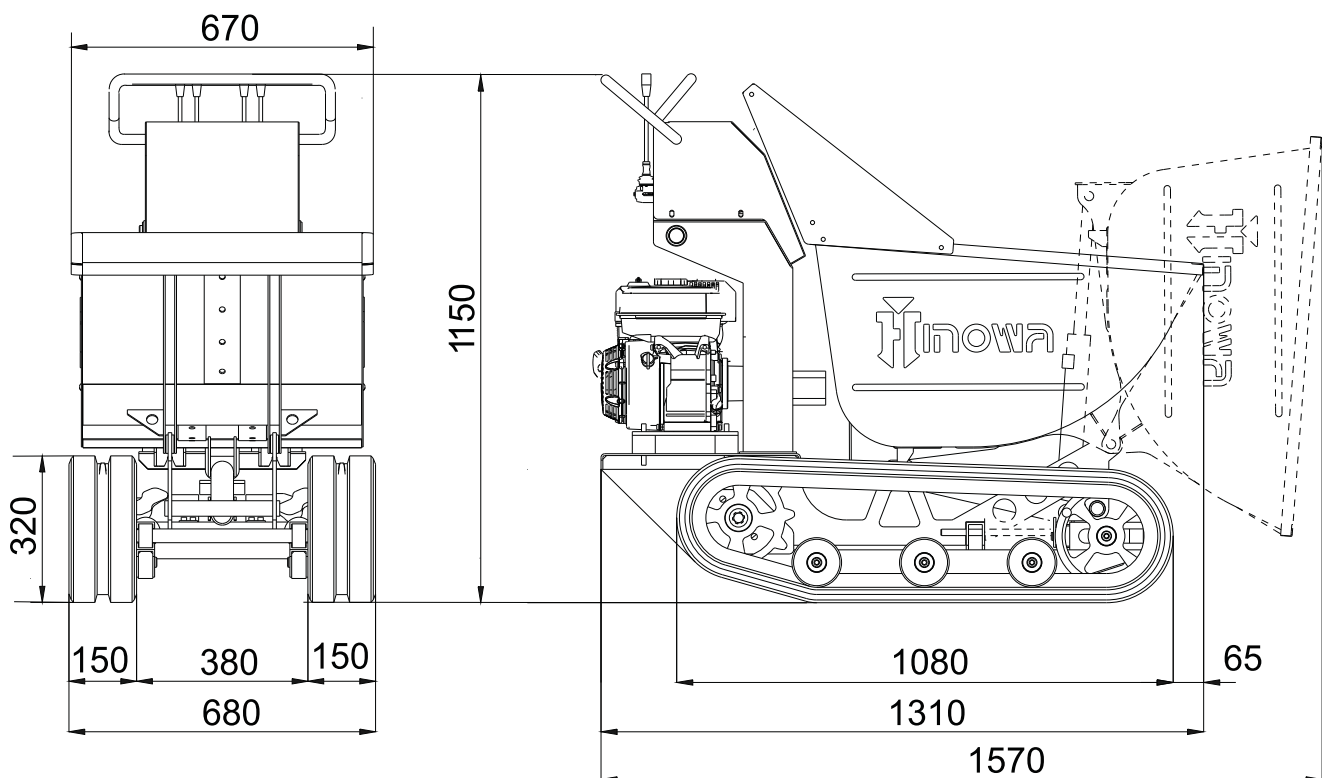


# MINIDUMPERS



## HS400 CONSTRUCTION VERSION





# MINIDUMPERS

## HS400 CONSTRUCTION VERSION

### PETROL ENGINE

Brand ..... Honda  
Type ..... GX200  
Pistons and displacement ..... Single-cylinder 196 cc  
Max gross power @ rpm ..... 5,5 HP - 4,1 kw @ 3600 rpm  
Max gross power ..... 3600 rpm  
Starting ..... manual  
Performance ..... Max inclination 25° (46,6%)

### DISTRIBUTOR

Type ..... Mechanical

### HYDRAULIC PUMPS

Number and type ..... n° 2 gear pumps at 3,34 cc  
Liters/min capacity ..... n° 2 x 10,5 l/min  
Pressure ..... 110 bar

### DRIVE MOTORS

Displacement ..... 250 cc

### TRACKS

Track tensioner ..... Spring track tensioner  
Brand ..... Minitop  
Dimensions ..... 160 x 33 x 72 mm  
Rollers per side ..... 3  
Translation speed ..... 1.7 km/h  
Fixed undercarriage ..... 680 mm

**CAPACITY** ..... 450 kg

**OPERATING WEIGHT** (without operator) ..... 255 kg

**PETROL FUEL TANK** ..... 3,6 liters